

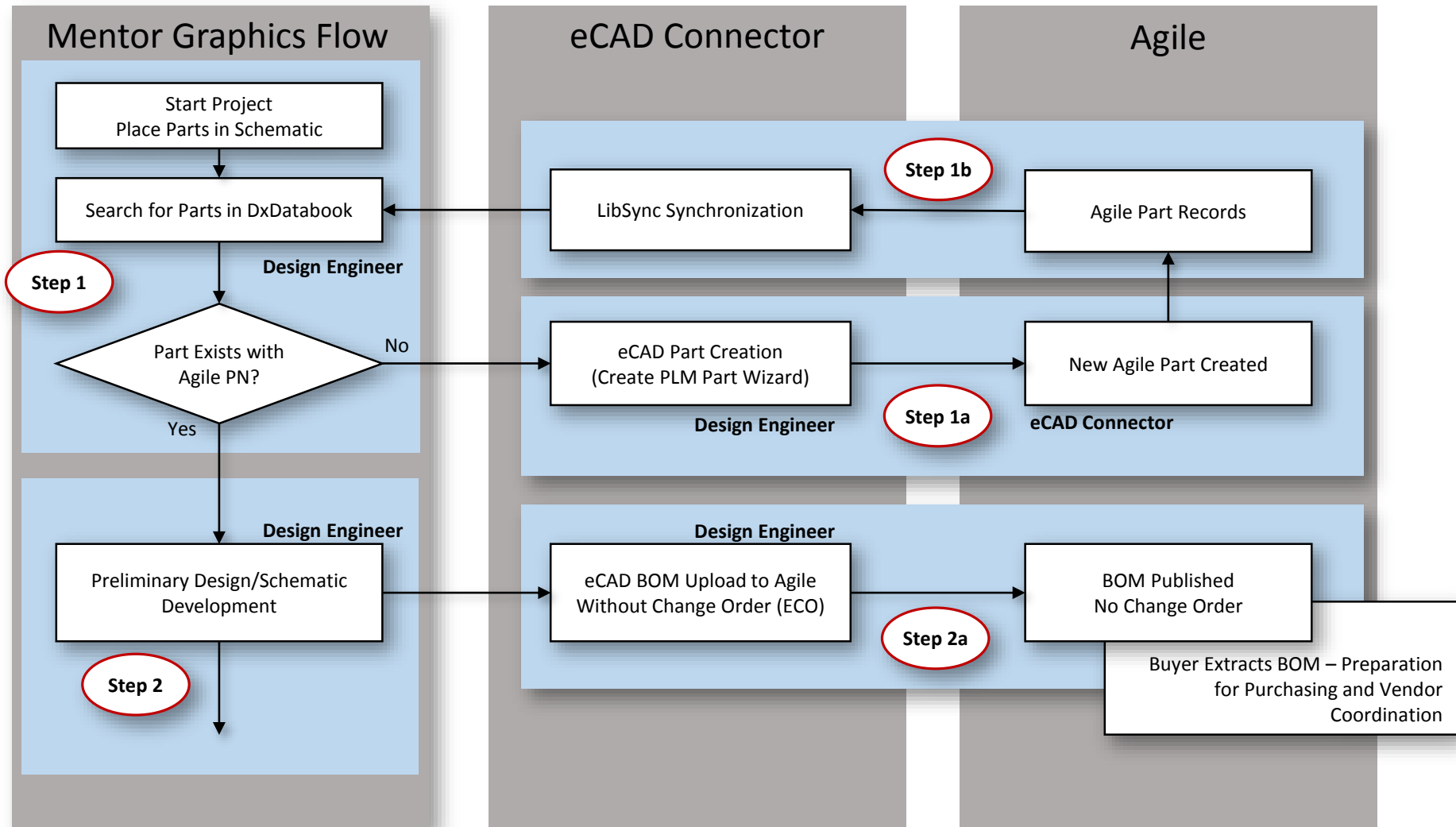
# Example eCAD Connector Usage Flow Summary

Oracle Agile PLM 9.3.2

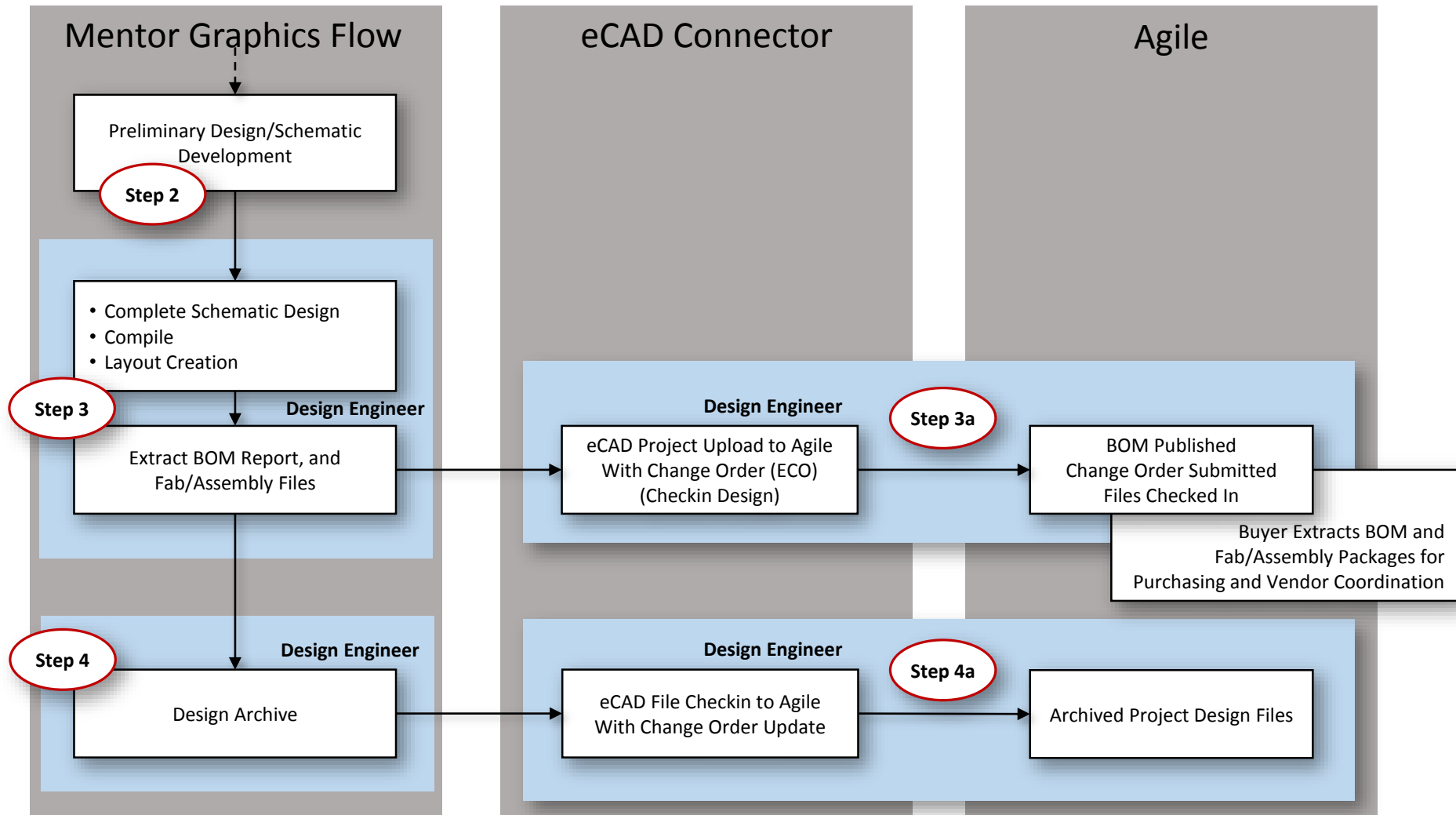
with

Mentor Graphics DxDesigner

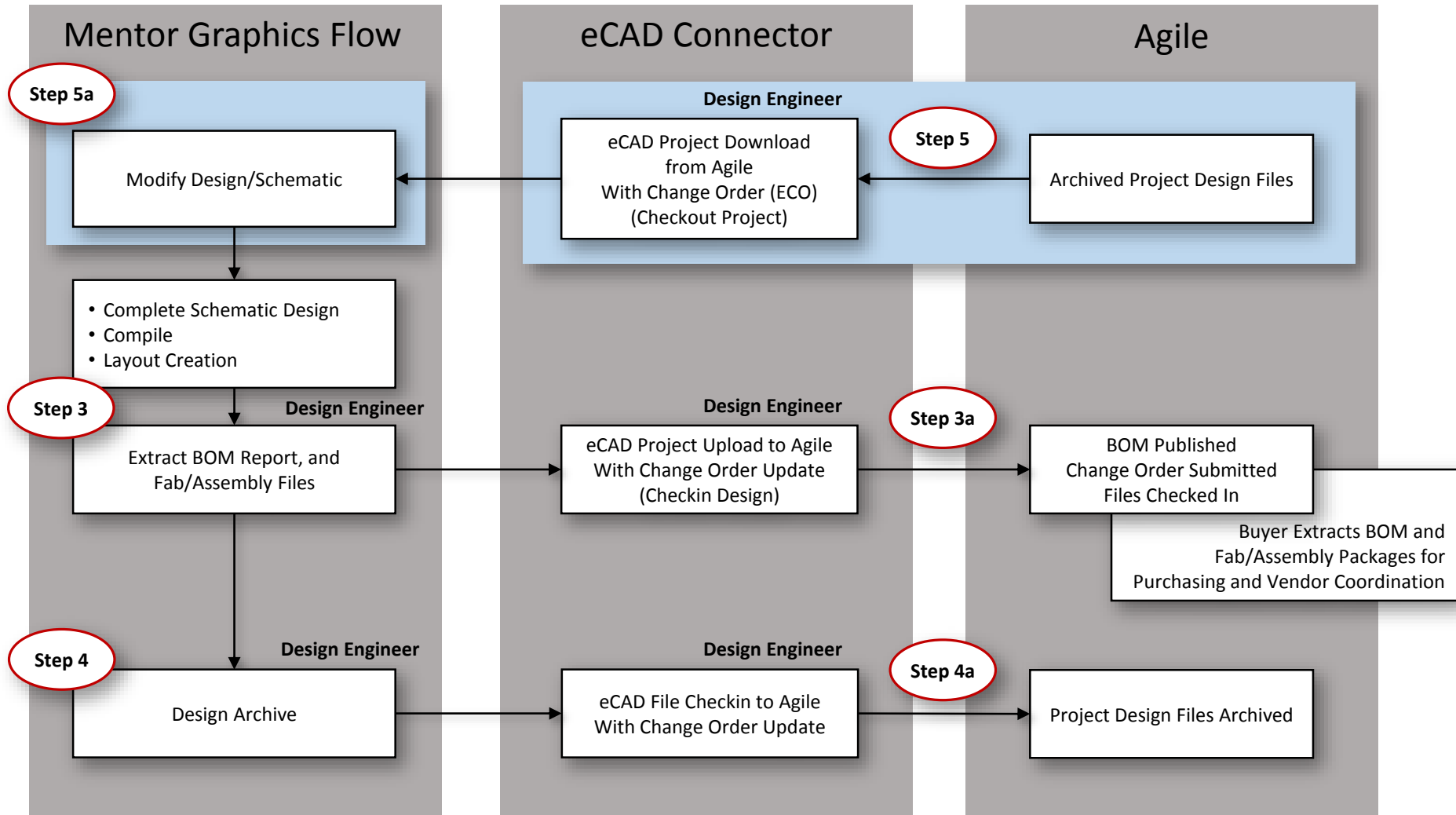
# Initial Design & Preliminary BOM Upload



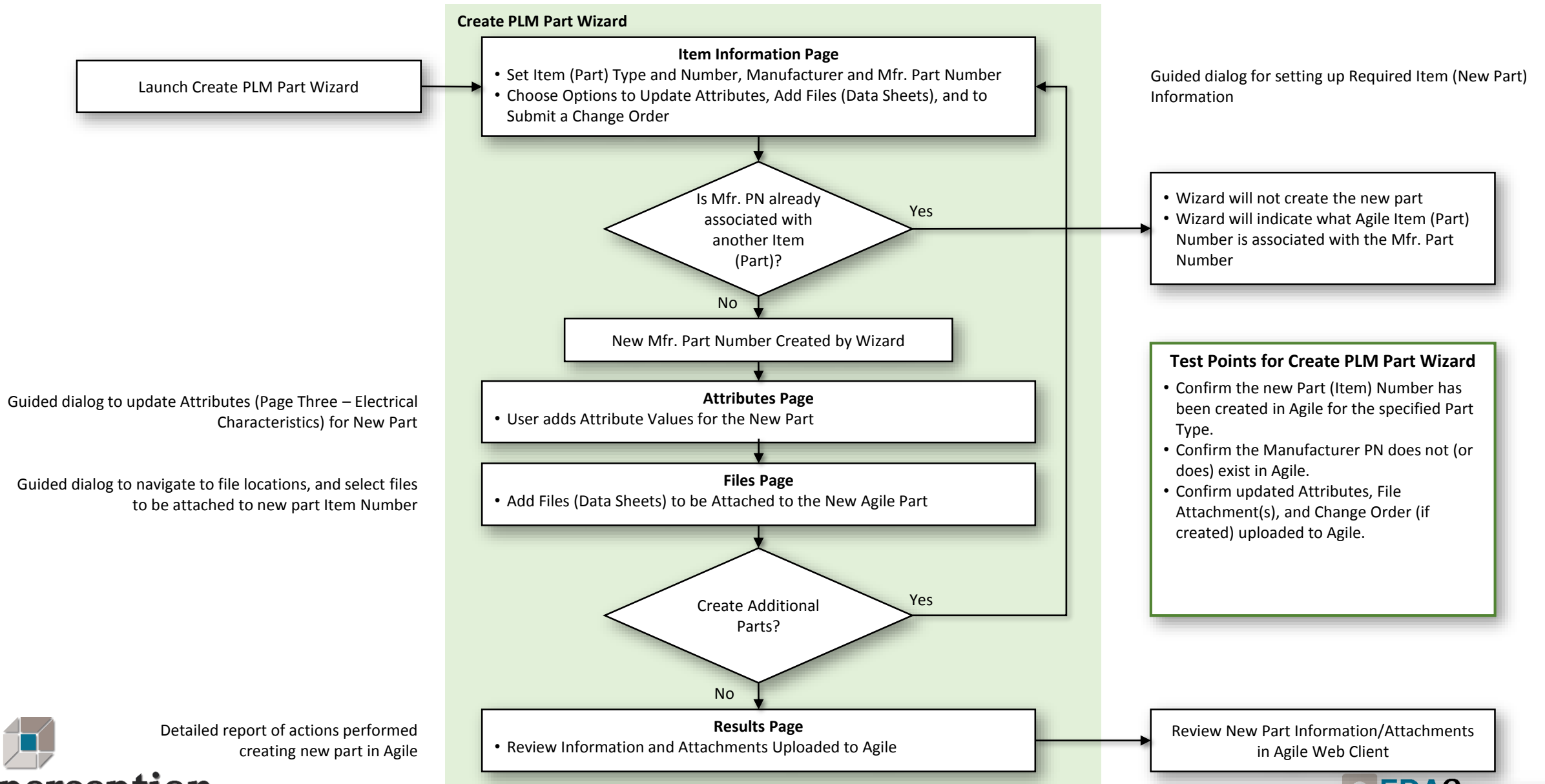
# Release Project to Manufacturing & Design Archive



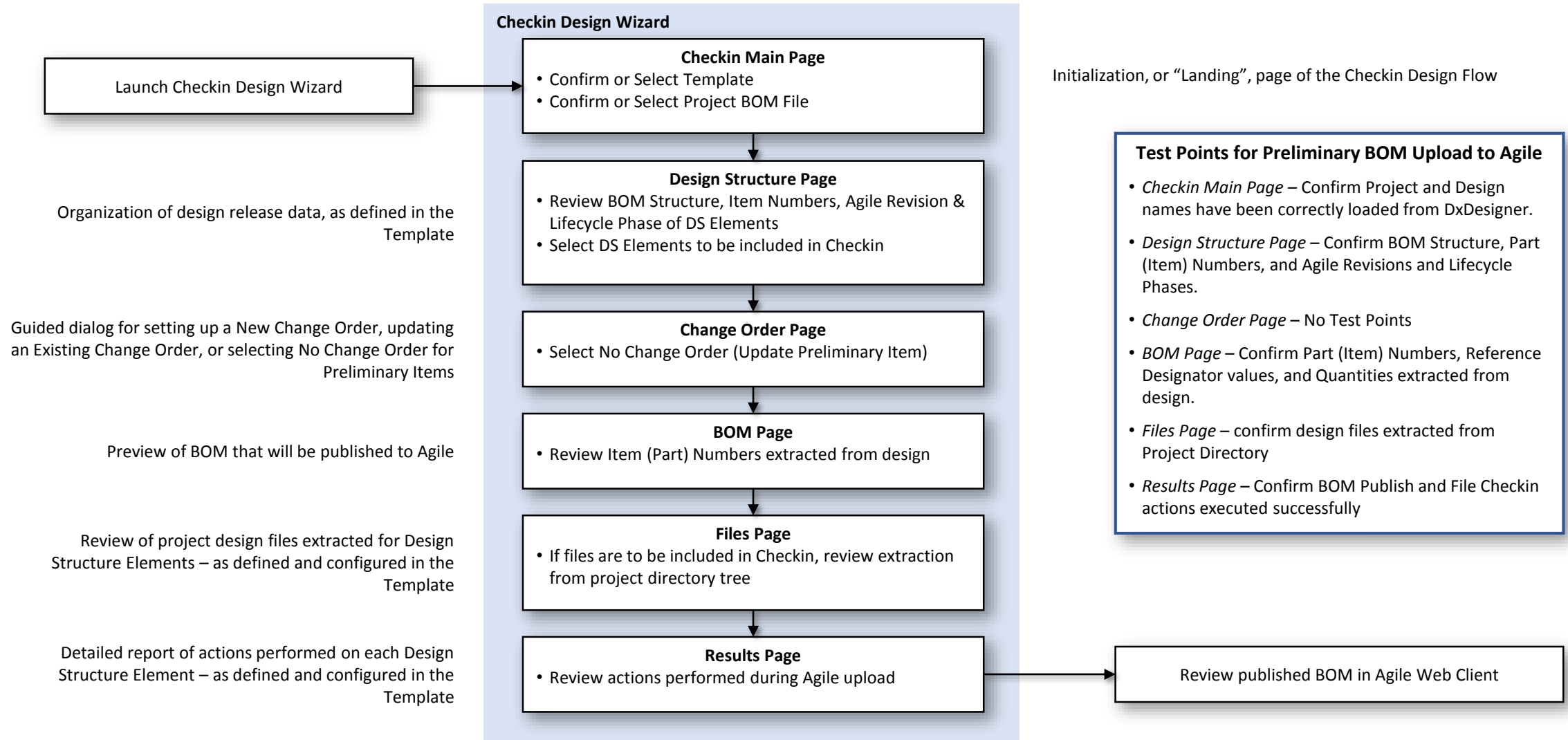
# Checkout Project from Agile with Change Order



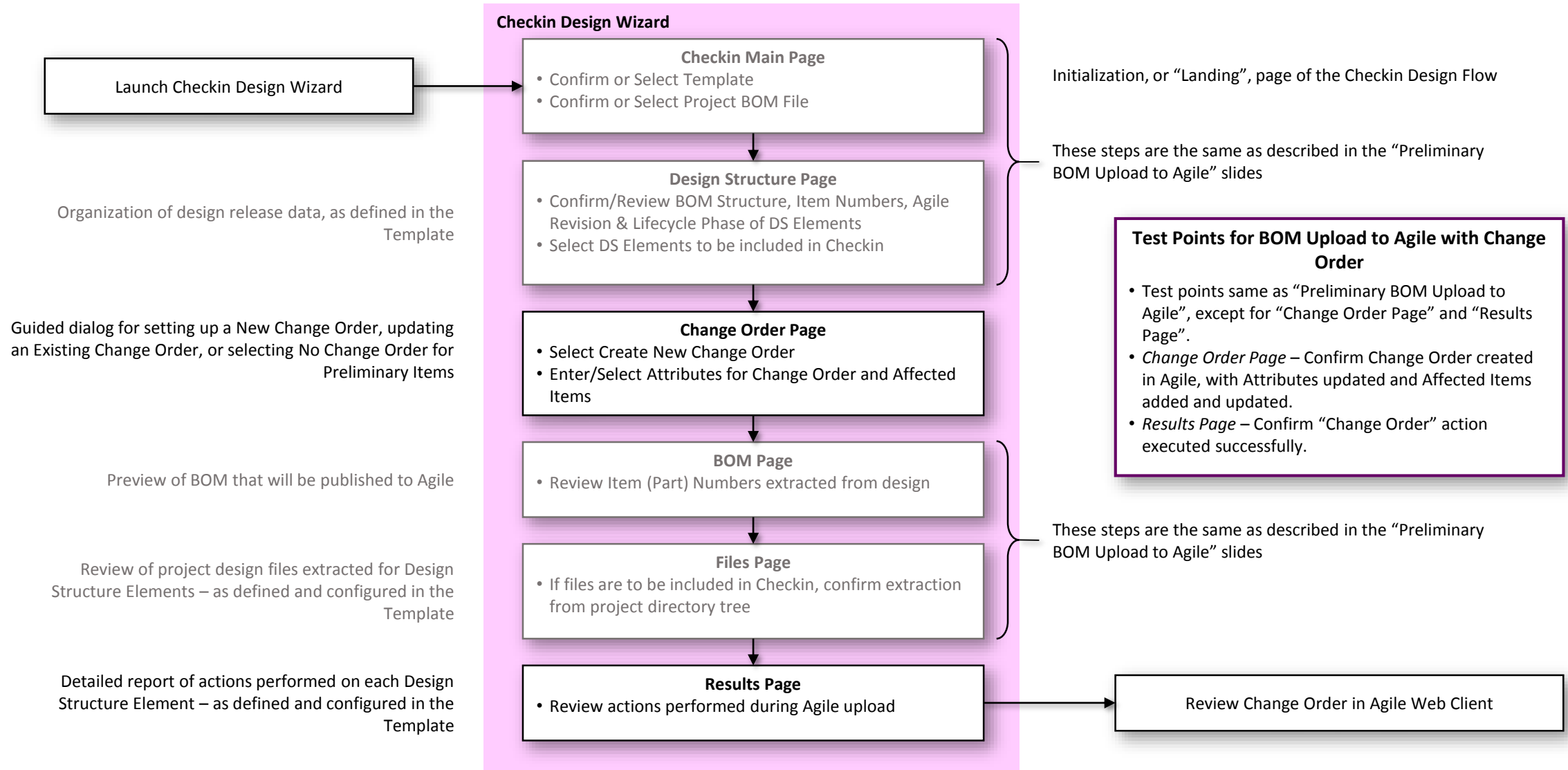
# eCAD Create PLM Part Flow



# eCAD Preliminary BOM Upload to Agile



# eCAD BOM Upload to Agile with Change Order



# eCAD Checkout Project Flow Diagram

